



# HEAVY DUTY SECURITY



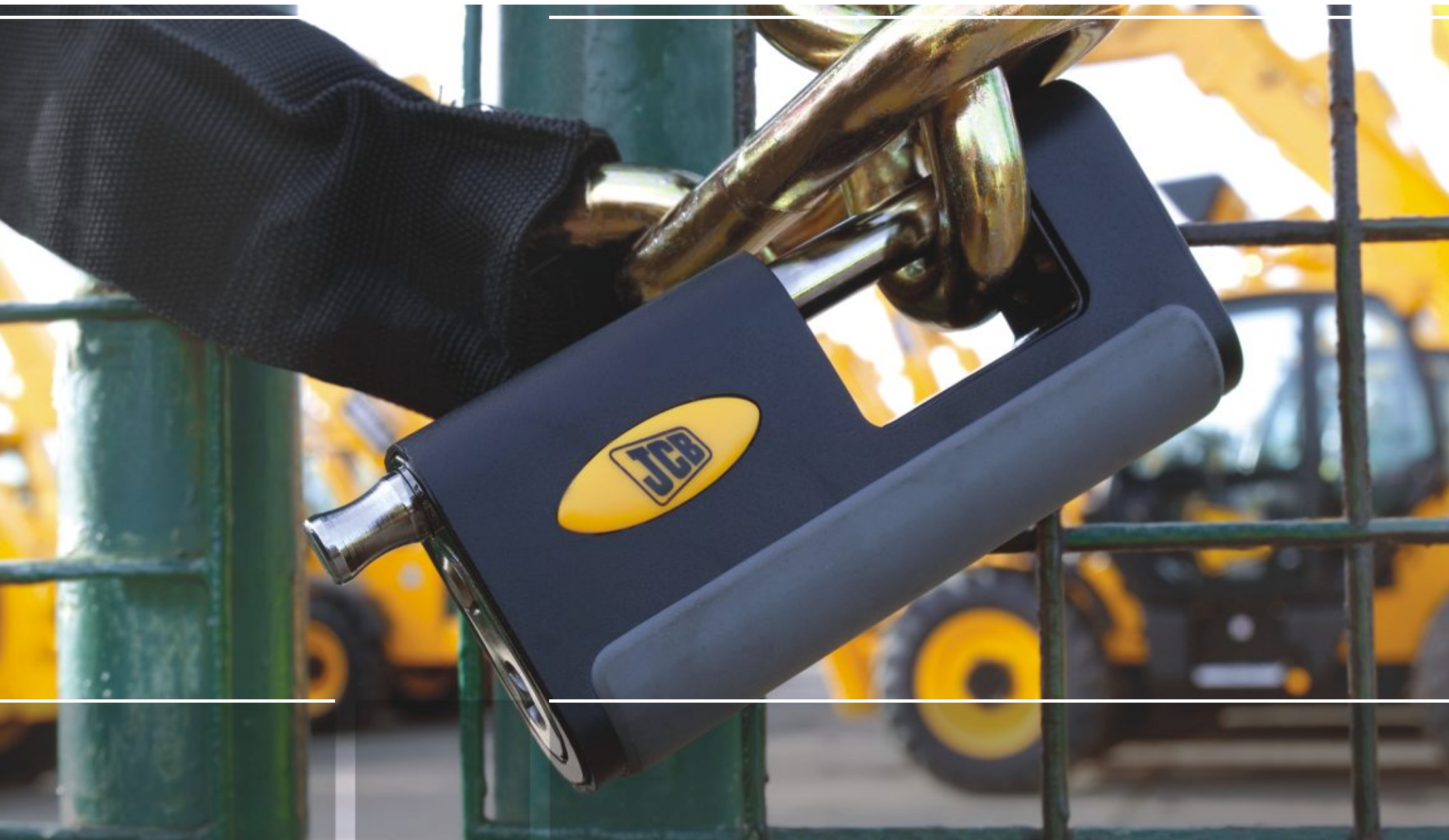
**10**  
Year  
Guarantee

High quality security devices for work and home

HEAVY DUTY SECURITY



**10**  
Year  
Guarantee





HEAVY DUTY SECURITY



# PADLOCKS FOR HOME AND WORK

## CONTENTS

### PADLOCKS FOR HOME AND WORK

- 4 Introducing the JCB brand
- 5 JCB - World class innovation

### CEN GRADE SECURITY

- 6 Formidable High Security CEN Grade Products

### PADLOCKS FOR WORK

- 7 High Security Padlocks
- 8 Shutter Locks, Lock and Chain Sets
- 9 High Security Lockset, High Security Padbar

### PADLOCKS FOR HOME

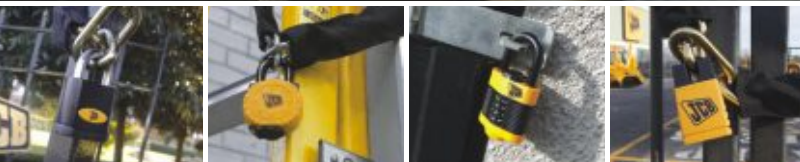
- 10 Heavy Duty Weatherproof Security
- 11 All Terrain Padlocks
- 12 Pin Tumbler Steel Padlocks
- 13 Recodable Combination Range
- 14 Backpack Lock, Wall Anchor, Hasp and Staple
- 15 Ladder and Gate Lock, Security Cables
- 16 Lock and Chain Sets, Integrated Lock and Chain, Security Chain

### POINT OF SALE MARKETING MATERIAL

- 17 Product Display Stands

### JCB PADLOCKS IN USE

- 18 Photography of JCB Padlocks in use



## HEAVY DUTY SECURITY



JCB is a unique company, where unique people produce unique products. However, it shares one vitally important characteristic with many other global brands: it never takes anything for granted. JCB has an illustrious heritage and an exciting future, because it is constantly seeking new horizons.

Today's successful businesses satisfy the needs of their customers. Tomorrow's successful brands have to exceed their customers' expectations. JCB is always looking for a better way. It is always prepared to go that extra mile, always determined to do whatever it can to help its customers to do a better job.

JCB is a company with a basic belief in the merits of hard work. At the core of this modern manufacturing giant is an old fashioned work ethic. Nobody works harder on behalf of their customers. Nobody tries harder to improve their products and their service.

JCB people believe in their products, but still want them to be better. That's why JCB is unique.

### JCB brand values

- Robust, hard-wearing, tough, strong
- Inspiring and fun
- High performance no matter what the situation
- Good quality you can trust

### A word on 'quality'

- By 'quality' we mean products that are designed and produced to high standards. They are made not just to last and do the job, but to look good throughout their lifetime.
- The JCB brand means quality that the consumer can always trust.

# PADLOCKS FOR HOME AND WORK

## Introducing the JCB brand





## HEAVY DUTY SECURITY



### The JCB heritage

In 1945, working from a small rented garage, Joseph Cyril Bamford built his first piece of equipment, a farm trailer. From the outset, his vision was to develop innovative machinery that would deliver the best available productivity and greatest financial benefits to his customers. JCB remains a family business, 100% owned by the Bamford family and chaired by Sir Anthony Bamford (Joseph Cyril's son).

### JCB today

JCB's headquarters is one of the finest engineering factories in the world. The company that began as a 'one man band' now employs over 8,000 people. Manufacturing in the UK, USA, India, China and South America, JCB now produces 279 different machines for uses spanning construction, industrial and agricultural markets. JCB has won more than 50 major awards for engineering excellence, exports, design, marketing, management and for its care of the environment: among them are 18 Queen's Awards for Technology and Export Achievement. In January 2007, JCB won the Best of British Industry award and the Best UK Exporter Award.

- No. 1 market share in the UK
- Over 1,000 JCB dealer locations worldwide
- Over 8,000 employees worldwide
- 17 manufacturing plants on 4 continents

JCB's total commitment to products and customers has helped them to grow from a one-man business into Britain's largest family-owned manufacturer of construction, agricultural, industrial and grounds care machinery as well as a wide range of consumer products.

## PADLOCKS FOR HOME AND WORK

### JCB - world class innovation

#### Henry Squire and Sons Ltd. Independent family owned lock manufacturers since 1780



Squire are proud to work with JCB on the production of high quality padlocks and security products.



#### JCB DIESELMAX - World's fastest diesel

DIESELMAX achieved a speed of 350.092 mph (or 563.418 kph) and set a new world record on 23rd August 2006 at Bonneville Salt Flats, USA.

## HEAVY DUTY SECURITY



## BS EN 12320 - CEN Grade



CEN security rating is the European Standard for padlocks and padlock fitting. Ratings are awarded from the highest (6) to the lowest (1). JCB CEN Rated high security products meet the CEN EN 12320 Standard 3 to 6.

Extra High Security



High Security



Security



Standard



General



General



## CEN GRADE SECURITY



## Formidable High Security CEN Grade Products

CEN Grade high security products are recognised for market leading performance and versatility. All JCB CEN rated products are designed and manufactured in the UK using the latest computer controlled machinery and equipment. JCB CEN rated padlocks and padbars are tested to the European CEN standards for padlock and padbar fittings and meet grades 3-6. All CEN rated products are manufactured from solid billets of steel or brass and tested to BS EN12320 (the CEN standard).

10 Year Guarantee

HEAVY DUTY SECURITY

Hi-Security Padlock

Over 260,000 key differs

RATING

9 10 11 12 13 14 15

Professional Hi-Security

SECURITY RATING

1 2 3 4 5 6 7 8 9 10 11 12 13 14 15

Professional Hi-Security

All CEN rated products have a High Security rating of 13-15 as shown on the packaging





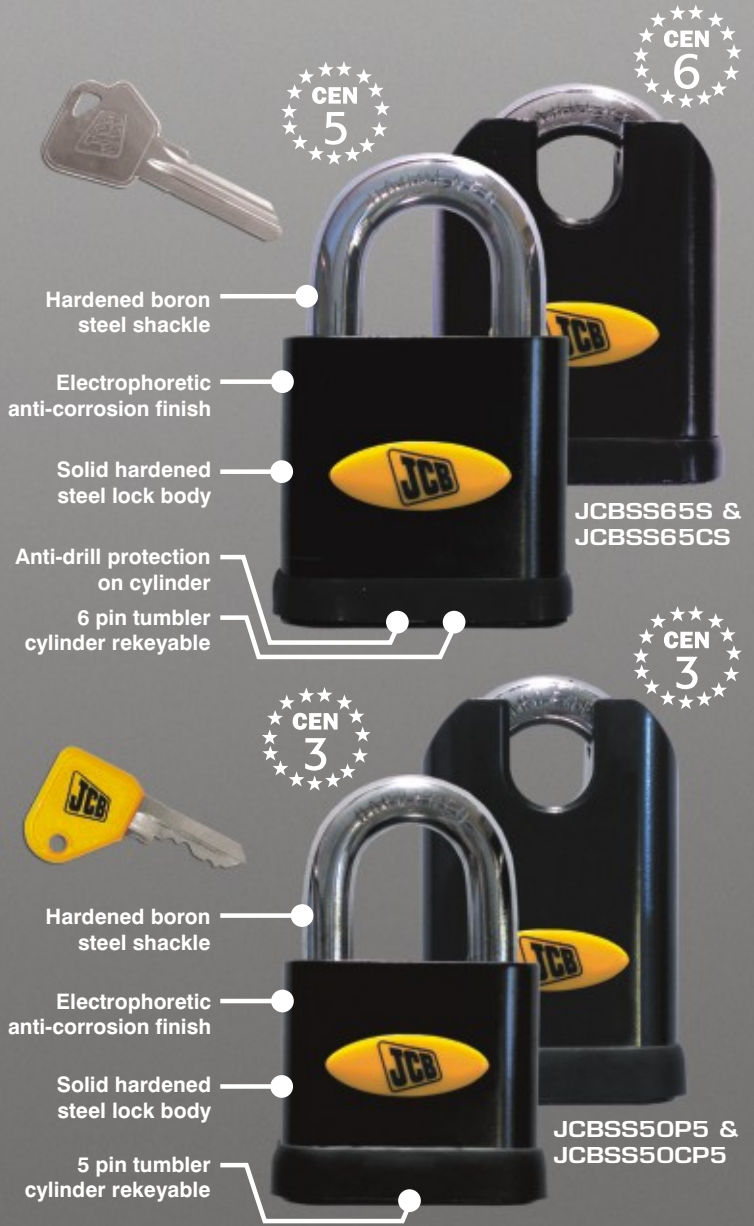


HEAVY DUTY SECURITY



PADLOCKS FOR WORK

High Security Padlocks



Maximum security 65mm solid steel padlocks  
JCBSS65S and JCBSS65CS

The 65mm range of padlocks are tested to the highest CEN Grades 5 and 6. Designed to be used in maximum risk situations and in harsh environments, these padlocks offer the very best in security.

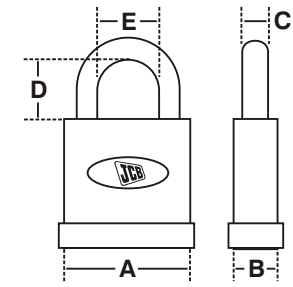
- Solid hardened steel lock body
- Hardened boron alloy steel shackles
- Two levels of coating with zinc plating as a base coat and black electrophoretic as the second coating, giving double resistance to corrosion and surface damage
- Tested to over 200 hours salt spray, giving extremely good corrosion resistance inside and outside the lock
- Consistent surface finish - very difficult to damage or chip
- Improved performance at no extra cost
- Available open and closed shackle
- Rekeyable 6 pin tumbler cylinder - 250,000 key differs

50mm solid steel padlocks  
JCBSS50P5 and JCBSS50CP5

The P5 padlock range offers high security protection and excellent value for money. They meet the European CEN Grade 3 for padlocks.

- Hardened steel body
- Hardened boron alloy steel shackle
- Electrophoretic finish - excellent corrosion resistance
- Available open and closed shackle
- Rekeyable 5 pin tumbler cylinder - 1,500 key differs

Diagram JCBSS65S & JCBSS50P5



Model Number	Body Width (mm)	Body Thickness (mm)	Shackle Diameter (mm)	Vertical Shackle Clearance (mm)	Horizontal Shackle Clearance (mm)	Shackle Material	Hardened Shackle	Mechanism	Key Variations	Body Material	CEN	Keyed Alike Available	Master Keyed Available
<b>Open Shackle</b>													
JCBSS65S	65.0	31.8	12.7	29.0	29.5	Boron alloy steel	Yes	6 Pin Tumbler	260,000	Hardened Steel	5	Yes	Yes
<b>Closed Shackle</b>													
JCBSS65CS	65.0	31.8	12.7	19.0	19.0	Boron alloy steel	Yes	6 Pin Tumbler	260,000	Hardened Steel	6	Yes	Yes
<b>Open Shackle</b>													
JCBSS50P5	50.0	26.8	10.0	26.0	22.0	Boron alloy steel	Yes	5 Pin Tumbler	1,500	Hardened Steel	3	Yes	Yes
<b>Closed Shackle</b>													
JCBSS50CP5	50.0	26.8	10.0	16.0	16.0	Boron alloy steel	Yes	5 Pin Tumbler	1,500	Hardened Steel	3	Yes	Yes

## HEAVY DUTY SECURITY



JCBWS50P5

Rekeyable 5 pin cylinder  
250,000 key differs

Electrophoretic  
finish - excellent  
corrosion resistance

Dual compound body  
care for easy handling

Hardened boron  
alloy steel shackle

Solid hardened  
steel lock body

JCBSS50CP5  
& JCBJ ChainJCBSS65CS  
& JCBMC4 Chain

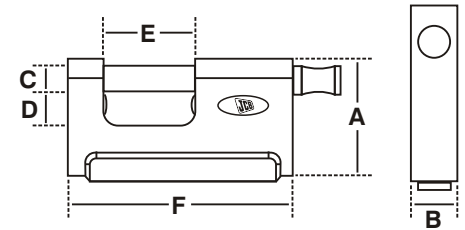
Hi-security alloy  
steel chains are all  
hardened and are tested  
and approved by Sold Secure.

## PADLOCKS FOR WORK



## Shutter Locks

The Shutter Lock is a high security padlock designed for securing roller shutters, warehouses, garages, lorries, perimeter gates, trailers and high security doors. The lock body is made from solid hardened steel and the shackle is made of hardened boron alloy steel. Designed to meet the European CEN Standards, it complies to BSEN12320 and CEN3.



Model Number	Body Width (mm)	Body Thickness (mm)	Shackle Diameter (mm)	Vertical Shackle Clearance (mm)	Horizontal Shackle Clearance (mm)	Body Length (mm)	Shackle Material	Hardened Shackle	Mechanism	Key Variations	Body Material	Keyed Alike CEN	Master Keyed Available
	A	B	C	D	E	F							
JCBWS50P5	54.0	29.0	10.0	17.0	37.0	112.0	Boron Steel	Yes	5 Pin Tumbler	1,500	Solid Hardened Steel	3	Yes

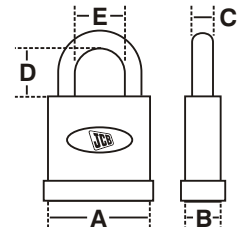
## Lock and Chain Sets

## JCBSS50CP5 &amp; JCBJ Chain

High security CEN rated open shackle padlock supplied with a 900mm length Sold Secure approved chain. For more information on the padlock, see page 7 of this brochure.

## JCBSS65CS &amp; JCBMC4 Chain

High security CEN rated closed shackle padlock supplied with a 1,200mm length Sold Secure approved chain. For more information on the padlock, see page 7 of this brochure.



Model Number	Body Width (mm)	Body Thickness (mm)	Shackle Diameter (mm)	Vertical Shackle Clearance (mm)	Horizontal Shackle Clearance (mm)	Shackle Material	Hardened Shackle	Mechanism	Key Variations	Body Material	Keyed Alike CEN	Master Keyed Available
Open Shackle	A	B	C	D	E							
JCBSS50P5	50.0	26.8	10.0	26.0	22.0	Boron alloy steel	Yes	5 Pin Tumbler	1,500	Hardened Steel	3	Yes
Closed Shackle	A	B	C	D	E							
JCBSS65CS	65.0	31.8	12.7	19.0	19.0	Boron alloy steel	Yes	6 Pin Tumbler	260,000	Hardened Steel	6	Yes
Model Number	Chain Length (mm)		Link Diameter (mm)		Internal Link Size (mm)		Material	Hardened	Sold Secure			
Chain												
JCBJ Chain	900		8.0		11 x 24		Alloy Steel	Yes	Silver Cycle			
Chain												
JCBMC4	1,200		13.0		20 x 40		Alloy Steel	Yes	Gold Motorcycle			

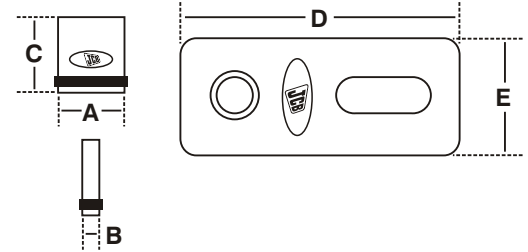




# PADLOCKS FOR WORK

## High Security Lockset

The JCBHLS50P5 high security lockset is designed to offer an integrated high security solution for securing vans, gates, doors, garages and other high risk areas. The lock body is made from solid hardened steel and the hasp is made of a special cast material. Designed to meet the European CEN Standards, it offers formidable resistance against attack and anti-corrosion resistance. The lock body has an electrophoretic anti-corrosion finish giving over 200 hours salt spray resistance.



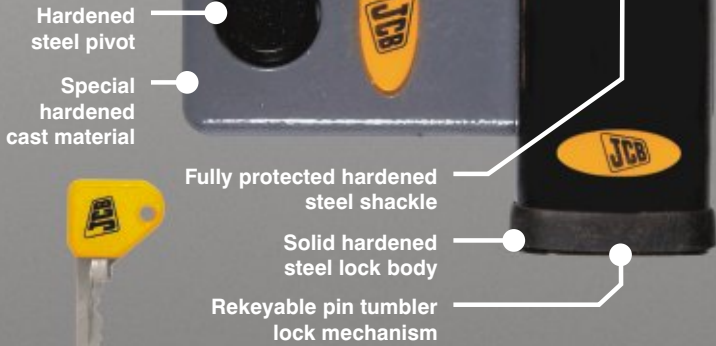
Model Number	Body Width (mm)	Body Thickness (mm)	Body Length (mm)	Shackle Diameter (mm)	Shackle Material	Hardened Shackle	Mechanism	Key Variations	Body Material	Keyed Alike CEN	Master Keyed Available
<b>JCBHLS50P5</b>	50.0	26.0	78.0	10.0	Boron Steel	Yes	5 Pin Tumbler	1,500	Hardened Solid Steel	3	Yes

Model Number	Hasp Material	Hasp Length (mm)	Hasp Width (mm)	Hasp Thickness (mm)	CEN	Hardened
<b>JCBHLS50P5</b>	SG Iron	150.0	68.0	16.0	3	Yes

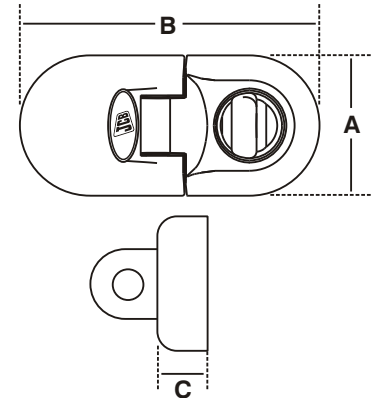
Over 200 Hours Salt Spray Test

HLS50P5 Lockset



## High Security Padbar

JCB high security padbars meet the stringent BS EN 12320 European Security Standard. These heavy duty CEN Grade padbars have been specifically designed to provide a full security solution and support the range of high security products. The JCBSTH2 has robust casting for the hasp attachment plate and staple and is easy to fit. The staple is designed to accommodate a 12.7mm shackle. To ensure maximum benefit the JCBSTH2 is recommended to be used with the JCBSS50 range of high security padlocks.



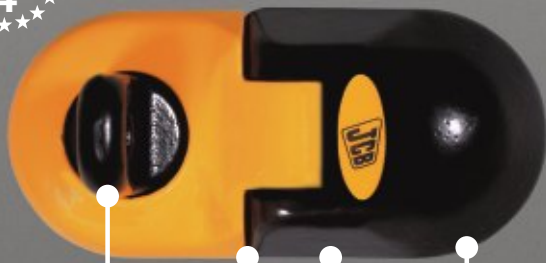
### Recommended for:

Perimeter gates, warehouse, internal doors, external doors, gates and storage areas.

Model Number	Material	Body Width (mm)	Overall Length (mm)	Body Thickness (mm)	Accommodates Shackle Diameter (mm)	Finish	CEN	Hardened
<b>JCBSTH2</b>	SG Cast Iron	86.0	184.0	32.0	12.7	Black/Yellow Powder Coat	4	No



STH2 Padbar



HEAVY DUTY SECURITY



PADLOCKS FOR HOME

Heavy Duty Weatherproof Security



Heavy Duty Weatherproof

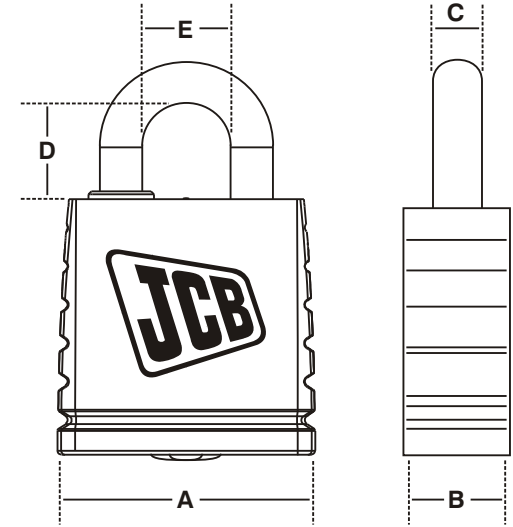


- Hardened Boron Alloy steel shackles - spring loaded and double deadlocking
- Solid steel lock bodies with weatherproof soft feel lock covers
- Unique weatherproof dust cover that is easy to use and durable
- Rekeyable anti-pick 5 pin tumbler cylinder

JCB Powerlok

These heavy duty padlocks are designed for securing garages, site equipment, vans, perimeter gates, commercial vehicles and storage areas. The lock body is made from solid steel and has a weatherproof soft feel cover for easy handling. These locks are built to work in harsh weather environments.

- Heavy duty construction for high security protection
- Easy to use self locking mechanism
- Easy to handle lock bodies particularly in cold weather
- Weatherproof covering that gives excellent outdoor durability
- Rekeyable lock for those who wish to change key systems
- Modern, strong design to attract target users



Model Number	*Body Width (mm)	Body Thickness (mm)	Shackle Diameter (mm)	Vertical Shackle Clearance (mm)	Horizontal Shackle Clearance (mm)	Shackle Material	Hardened Shackle	Mechanism	Key Variations	Body Material	Keyed Alike Available	Master Keyed Available
<b>Open Shackle</b>												
JCBPOL45	57.5	37.5	9.0	23.0	20.0	Boron steel	Yes	5 Pin Tumbler	1,500	Solid steel	Yes	Yes
JCBPOL55	67.5	37.5	11.0	25.0	23.0	Boron steel	Yes	5 Pin Tumbler	1,500	Solid steel	Yes	Yes
<b>Closed Shackle</b>												
JCBPOL45CS	57.5	37.5	9.0	22.0	14.5	Boron steel	Yes	5 Pin Tumbler	1,500	Solid steel	Yes	Yes
JCBPOL55CS	67.5	37.5	11.0	24.0	18.0	Boron steel	Yes	5 Pin Tumbler	1,500	Solid steel	Yes	Yes

\* Including lock body cover



HEAVY DUTY SECURITY



# PADLOCKS FOR HOME

## All Terrain Padlocks



JCBATL4

JCBATL5

Over  
150 Hours Salt  
Spray Test



Hardened steel  
shackle with  
anti-corrosion plating

Solid brass lock body  
with special protective  
cover. Soft feel for  
easy handling

Weatherproof  
dust cover

5 pin tumbler lock  
mechanism with  
key fob

### JCBATL 4 & 5 Range.

The JCBATL4 and 5 padlocks are designed to be used in applications where both high security and a high level of weather protection are required. They offer the user unrivalled security performance in all weather conditions. Both locks are available in high impact packaging and in keyed alike format. Both padlocks have solid brass lock bodies encased in a protective cover and hardened steel shackle.

### Recommended for:

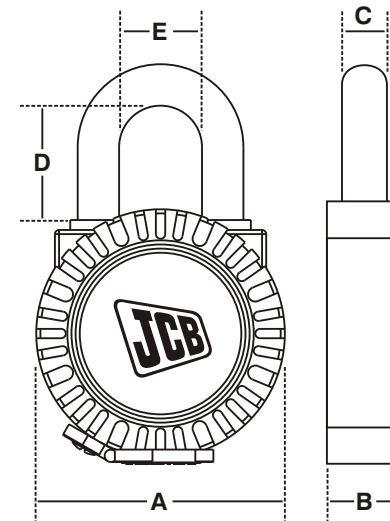
Sheds, vans, boats, farms, gates.

### Features:

- Hardened steel shackle
- Solid brass lock body
- Weatherproof dust cover
- 5 pin tumbler mechanism
- Key fobs

### Benefits:

- Extra attack resistance
- Extra resistance against bolt cropping
- Provides high internal and external corrosion resistance
- 1000's of key differs
- Easy key identification



Model Number	Body Width (mm)	Body Thickness (mm)	Shackle Diameter (mm)	Vertical Shackle Clearance (mm)	Horizontal Shackle Clearance (mm)	Shackle Material	Hardened Shackle	Mechanism	Key Variations	Body Material	Keyed Alike Available	Master Keyed Available
	A	B	C	D	E							
JCBATL4	52.0	23.0	8.0	25.0	20.0	Steel	Yes	5 Pin Tumbler	Up to 15,000	Brass	Yes	No
JCBATL5	58.0	25.0	10.0	25.0	20.0	Steel	Yes	5 Pin Tumbler	Up to 15,000	Brass	Yes	No

## HEAVY DUTY SECURITY



## PADLOCKS FOR HOME

## Pin Tumbler Steel Padlocks



JCB35



JCB35CS



JCB37



JCB37CS



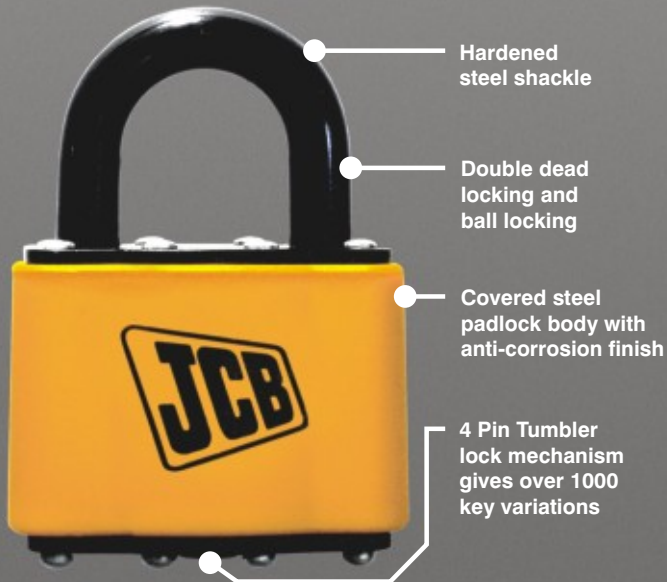
JCB37/2.5



JCB39



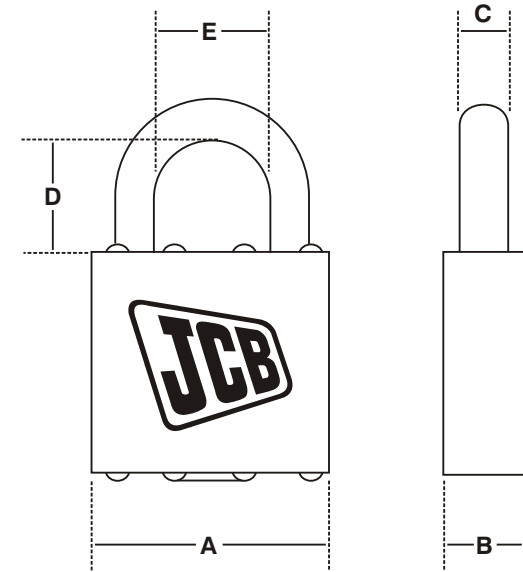
JCB39CS

**JCB Stronglock**

The rugged range of double dead locking and ball locking pin tumbler laminated steel padlocks offer premium quality performance and an excellent choice of standard shackle, long shackle and closed shackle versions.

**Recommended for:**

Sheds, garages, lockups, gates, toolboxes, lockers, vans and storage areas.



Model Number	Body Width (mm)	Body Thickness (mm)	Shackle Diameter (mm)	Vertical Shackle Clearance (mm)	Horizontal Shackle Clearance (mm)	Shackle Material	Hardened Shackle	Mechanism	Key Variations	Body Material	Keyed Alike Available	Master Keyed Available
<b>Open Shackle</b>	A	B	C	D	E							
<b>JCB35</b>	38.0	23.0	7.0	17.0	16.0	Steel	Yes	4 Pin Tumbler	1024	Steel	Yes	Yes
<b>JCB37</b>	44.0	24.0	8.0	20.0	20.0	Steel	Yes	4 Pin Tumbler	1024	Steel	Yes	Yes
<b>JCB39</b>	51.0	29.0	9.0	24.0	24.0	Steel	Yes	4 Pin Tumbler	1024	Steel	Yes	Yes
<b>Long Shackle</b>	A	B	C	D	E							
<b>JCB37/2.5</b>	44.0	24.0	8.0	64.4	20.0	Steel	Yes	4 Pin Tumbler	1024	Steel	Yes	Yes
<b>Closed Shackle</b>	A	B	C	D	E							
<b>JCB37CS</b>	44.0	24.0	8.0	13.0	20.0	Steel	Yes	4 Pin Tumbler	1024	Steel	Yes	Yes
<b>JCB39CS</b>	51.0	29.0	9.0	19.0	16.0	Steel	Yes	4 Pin Tumbler	1024	Steel	Yes	Yes



HEAVY DUTY SECURITY



# PADLOCKS FOR HOME

## Recodable Combination Range



No Keys  
to Lose

Hardened steel  
shackle with  
protective finish  
and double self  
locking mechanism

Protective lock  
body finish

Fully recodable  
4 wheel combination  
1000's of combinations

Push button  
to open lock

### Heavy Duty Recodable Padlocks

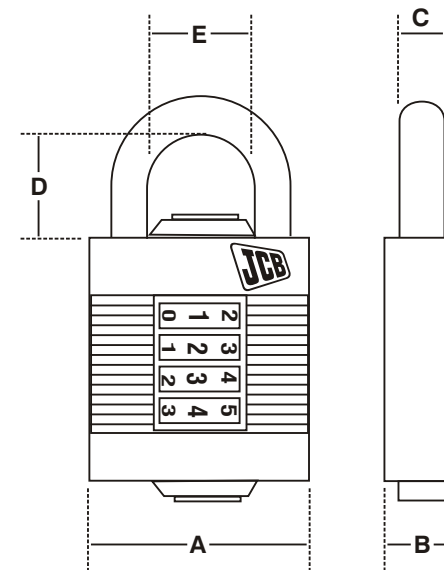
Heavy duty recodable padlocks that offer a high level of security with the benefit of no keys to lose.

The lock body coated with a protective coating to provide a very high corrosion resistance. Available with 8mm hardened steel shackle, long shackle variants and closed shackle variants.

All locks can be coded and recoded as required, and can be coded alike to give a keyed alike facility.

### Recommended for:

Gates, vans, sheds, lorries, lockers, lockups, garages, boats, etc.



Model Number	Body Width (mm)	Body Thickness (mm)	Shackle Diameter (mm)	Vertical Shackle Clearance (mm)	Horizontal Shackle Clearance (mm)	Shackle Material	Hardened Shackle	Mechanism	Body Material	Code Variations
Open Shackle	A	B	C	D	E					
JCBCP1	48.2	27.3	8.0	26.0	22.45	Steel	Yes	Recodable Combination	Die Cast	4096
JCBCP1/1.5	48.2	27.3	8.0	40.0	22.45	Steel	Yes	Recodable Combination	Die Cast	4096
JCBCP1/2.5	48.2	27.3	8.0	65.5	22.45	Steel	Yes	Recodable Combination	Die Cast	4096
Closed Shackle	A	B	C	D	E					
JCBCP1CS	48.2	27.3	8.0	22.5	17.0	Steel	Yes	Recodable Combination	Die Cast	4096

HEAVY DUTY SECURITY



- Easy to use
- Includes compass
- 3 wheel combination
- Includes bottle opener and can opener

JCBRS1 Backpack Lock



- Hardened steel 10mm diameter shackle
- Protective cover
- Security screws included

JCBWA1 Wall Anchor

JCB6H Hasp & Staple

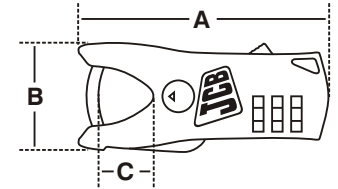


- Hardened steel construction with anti-corrosion finish
- Coach bolt fixings for added security
- Concealed fixings under hasp
- Can be used on single or double doors

PADLOCKS FOR HOME

Backpack Lock

Designed to secure rucksacks, backpacks and luggage, the Backpack Lock offers peace of mind and security while travelling. It features an easy to use three wheel combination lock, plus it boasts the additional useful features of a bottle opener, can opener and compass. The shackle height is 16mm.

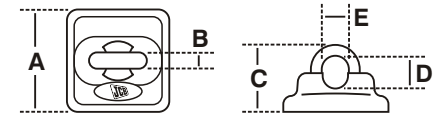


Model Number	Lock Length (mm)	Lock Width (mm)	Shackle Height (mm)	Lock Body Material	Shackle Material	Hardened Shackle	Mechanism	Code Variations
Lock	A	B	C					
JCBRS1	73.0	36.0	16.0	Die Cast	Steel	No	Combination	1,000

Wall Anchor

The JCB Bicycle Wall Anchor is designed to be used in conjunction with other JCB locks to secure equipment both internally and externally.

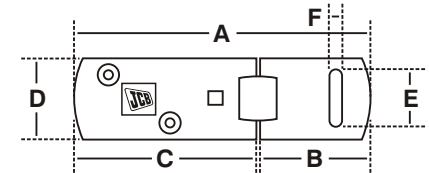
- Hardened steel
- Protective cover
- Easy to fit
- Supplied with security fittings
- Can be used on wooden or brick walls



Model Number	Anchor Material	Anchor Width (mm)	Shackle Diameter (mm)	Anchor Height (mm)	Shackle Height (mm)	Shackle Width (mm)	Hardened
Wall Anchor		A	B	C	D	E	
JCBWA1	Steel	62.0	10.0	44.0	19.0	15.0	Yes

Hasp and Staple

Single hinge hasp and staple suitable for use on both single and double doors. Manufactured from hardened steel, the JCB No 6 hasp has an anti-corrosion finish. Concealed fixings provide added security. Can be used for single and double doors.



Model Number	Hasp Material	Hasp Length (mm)	Left Side (mm)	Right Side (mm)	Hasp Width (mm)	Staple Length (mm)	Staple Width (mm)	Hasp Thickness (mm)	Screw Hole Dia (mm)	Hardened
Hasp		A	B	C	D	E	F			
JCB6H	Steel	153.0	60.0	93.0	43.5	6.4	43.5	3.2	4.7	Yes

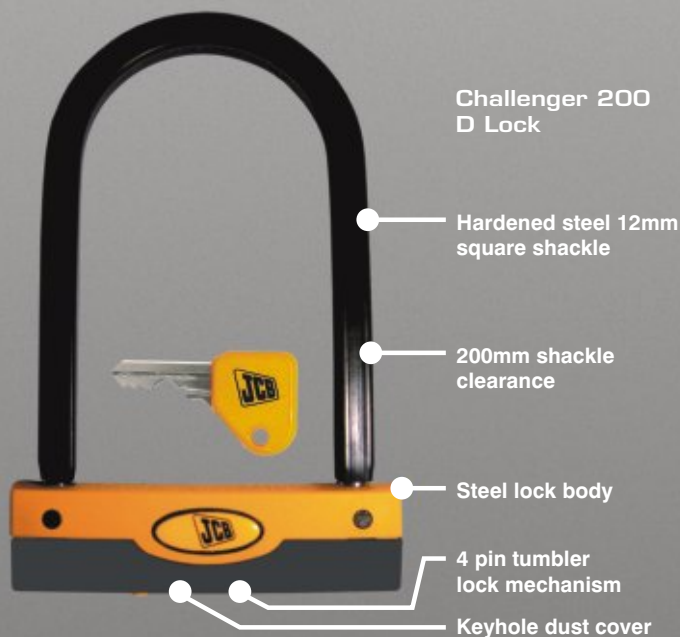


HEAVY DUTY SECURITY



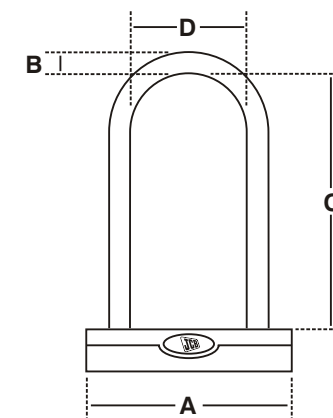
# PADLOCKS FOR HOME

## Ladder and Gate Lock



The ladder and gate Lock combines the excellent high strength properties of JCB locks with modern design and is designed to secure ladders and gates.

- Hardened steel 12mm square shackle
- Steel lock body
- 4 Pin tumbler lock mechanism - 1,000 key differs
- 200mm shackle clearance
- With keyhole dust cover



Model Number	Body Width (mm)	Shackle (mm)	Vertical Shackle Clearance (mm)	Horizontal Shackle Clearance (mm)	Shackle Material	Hardened Shackle	Lock Mechanism	Key Differs
D Lock	A	B	C	D				
JCBCH200	190.0	12.0	200.0	108.0	Steel	Yes	Pin Tumbler	1,000

## Security Cables

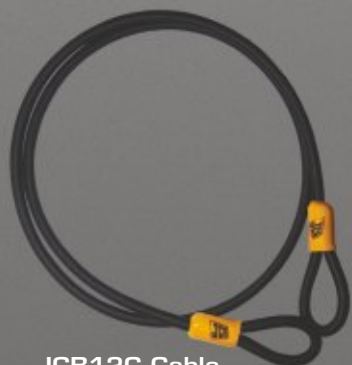
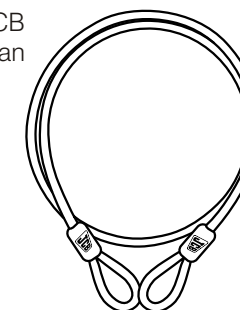
These two high security cables are designed to be used in conjunction with a suitable JCB padlock. They are available in either 12mm or 15mm diameter and have looped ends. Can also be used for securing other items such as gates, lawnmowers, tools and ladders.

### JCB12C

- 1800mm length
- 12mm diameter, multi-strand cable
- Recommended to be used with a suitable JCB padlock

### JCB15C

- 1800mm length
- 15mm diameter, multi-strand cable
- Recommended to be used with a suitable JCB padlock



JCB12C Cable



JCB15C Cable

Model Number	Cable Length (mm)	Cable Diameter (mm)	Cable Material	Covered Cable
Cable				
JCB12C	1,800	12.0	Steel	Yes
JCB15C	1,800	15.0	Steel	Yes

HEAVY DUTY SECURITY



JCB3936 Lock & Chain Set



JCBZRCN 10/1200 Integrated Lock & Chain



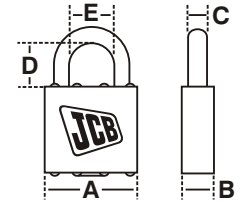
JCBG4 Security Chain

# PADLOCKS FOR HOME

## Lock and Chain Sets

### JCB3936 Lock and Chain Set

- 50mm steel padlock
- 6.5mm diameter hardened steel chain
- Length 900mm



Model Number	Body Width (mm)	Body Thickness (mm)	Shackle Dia (mm)	Vertical Shackle Clearance (mm)	Horizontal Shackle Clearance (mm)	Shackle Material	Hardened Shackle	Key Mechanism	Key Variations	Keyed Alike Available	Master Keyed Available	Chain Length	Chain Link Dia	Chain Internal Link	Chain Material	Hardened Chain
	A	B	C	D	E											
JCB3936	51.0	29.0	9.0	24.0	20.0	Steel	Yes	4 Pin Tumbler	1,024	Yes	Yes	900	6.5	15 x 37	Steel	Yes

## Integrated Lock and Chain

### JCBZRCN10/1200 Integrated Lock and Chain

- Integrated lock and chain
- 10mm square link hardened steel chain
- Disc tumbler lock mechanism
- Length 1,200mm

Model Number	Shackle Material	Mechanism	Chain Length	Chain Link Size (mm)	Chain Material	Hardened Chain
JCBZRCN10/1200	Hardened Steel	Disc Tumbler	1,200	10.0	Steel	Yes

## Security Chain

### JCBG4 Security Chain

- 10mm diameter alloy steel hardened chain
- Black fabric sleeve
- Length 1,200mm

Model Number	Chain Length (mm)	Link Diameter (mm)	Material	Hardened
JCBG4 Chain	1,200	10.0	Alloy Steel	Yes



## HEAVY DUTY SECURITY



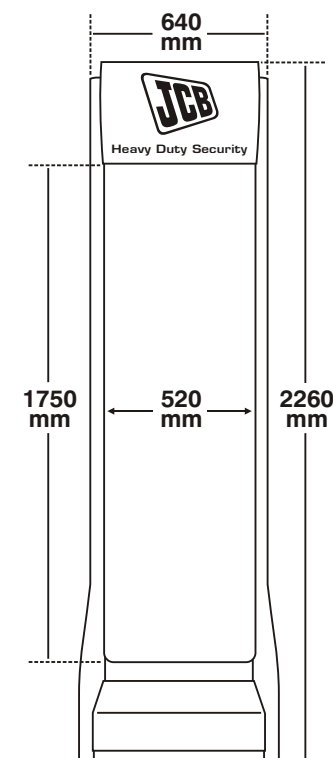
## POINT OF SALE MARKETING MATERIAL

## Product Display Stands

Our sales support package for retailers offers a range of eye-catching in-store displays and information boards designed to impress customers.

This compact merchandiser guides customers to the best product for the level of security they need. The famous JCB branding stands for quality the consumer can always trust and informs customers they can purchase JCB security devices in this store. The merchandiser's pegboard back allows optimum product coverage to maximise sales.

- Floor standing merchandiser
- High impact, modern merchandising solution that helps you sell more products
- Strong JCB branding to inform customers from across the store that quality JCB products can be bought here
- Pegboard back allows optimum product coverage, plus quick and easy re-arrangement of products when setting up new product displays



**\*NB.** These photographs are representative of the range that can be stocked



HEAVY DUTY SECURITY



# PADLOCKS FOR HOME AND WORK

JCB padlocks in use





HEAVY DUTY SECURITY



10  
Year  
Guarantee



JCB's range of padlocks and security products are made under licence by Henry Squire & Sons Ltd, family owned lock manufacturers since 1780.

Henry Squire & Sons Limited, Hilton Cross Business Park,  
Cannock Road, Featherstone, Wolverhampton, WV10 7QZ

Tel: 01902 308 052

Email: [info@henry-squire.co.uk](mailto:info@henry-squire.co.uk)

Web: [www.squirelocks.co.uk](http://www.squirelocks.co.uk) [www.jcb.com](http://www.jcb.com)

